

You will need

1x Pozi-head screwdriver

1x Spirit level

13mm Open ended spanner

1 Screw the feet into the bottom of the uprights (A). (L shaped if single sided, T shaped if double sided, N/A if wall fixed.)

2 Lay out uprights, attach two cross bars (B) (open side facing downwards) to each using the pozi pan head screws provided. Add the required number of uprights to extend shelving length. Fix crossbars, one at the top, one at the bottom of each upright. Assemble together, Do not tighten fixing screws completely.

With assembly upright tighten all other screws.

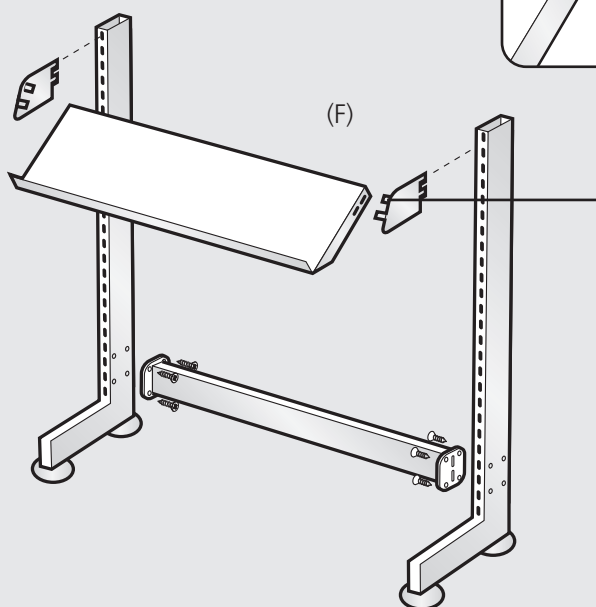
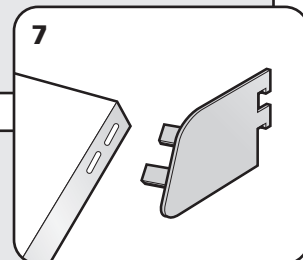
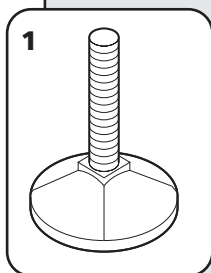
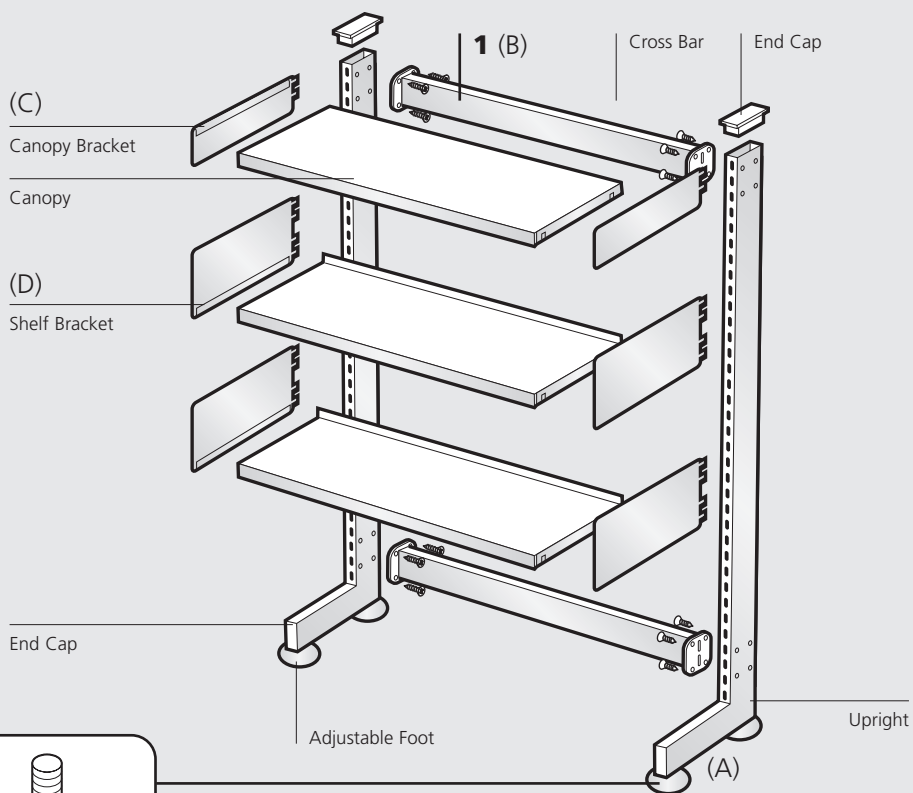
3 Brackets can now be attached. There are two different types – canopy and shelving brackets, both come in left and right handed versions.

4 Attach the canopy brackets first (C). These are smaller than the shelf brackets and are to be fitted at the top of each upright. The canopy should now be fitted on top of the canopy brackets ensuring it is level with the top of the uprights.

5 Now attach the shelving brackets (D) ensuring the left and right handed brackets are fitted in the corresponding slots. The shelves can now be fitted onto the shelf brackets. They should feel stable and secure.

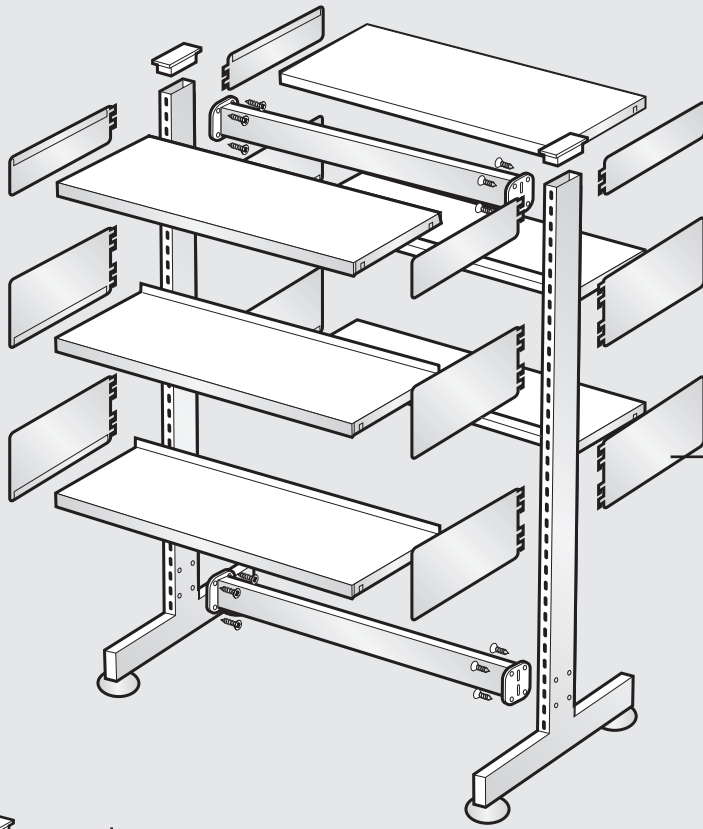
6 Using a spirit level, the unit can now be levelled by adjusting the feet at the bottom of the unit using a 13mm spanner.

Freestanding - Single Sided

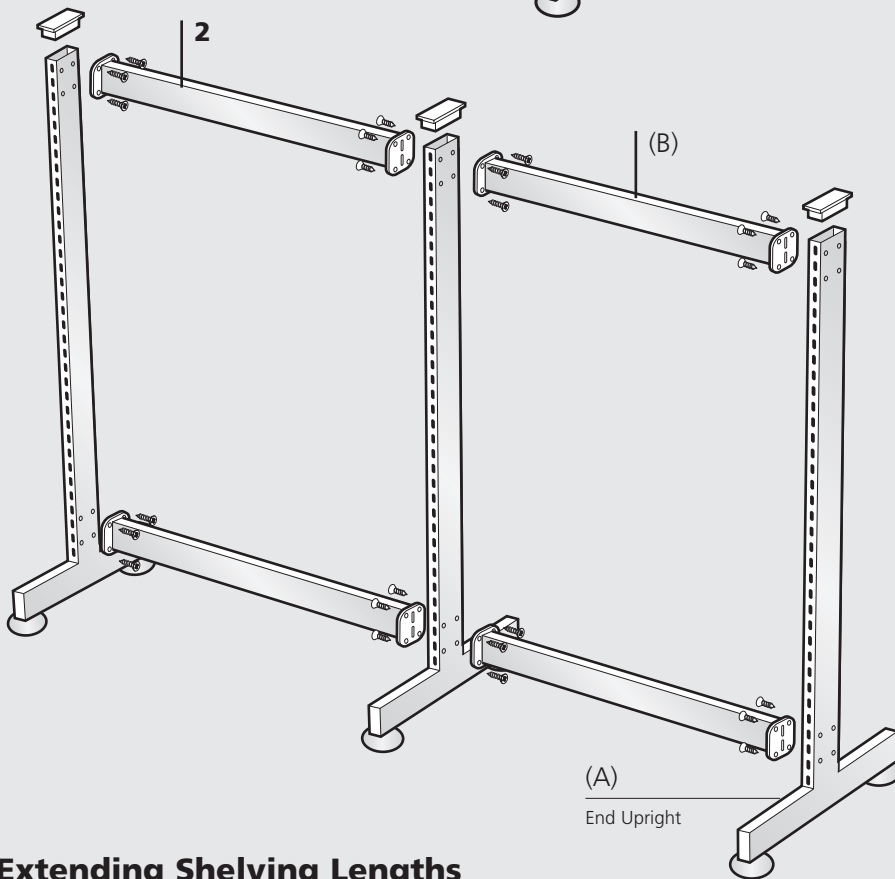
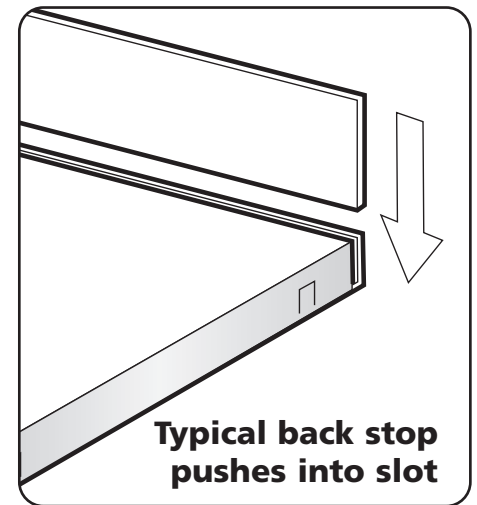
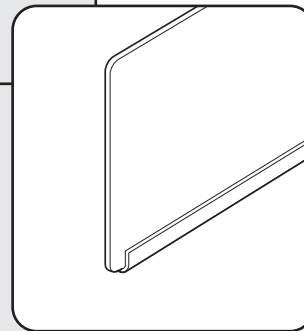


Display Shelving

Freestanding - Double Sided or Mobile Unit



7 For display fix the locating bracket (E) onto the display shelf using the pins on bracket into the slot on the shelf. Repeat for both left and right hand brackets. Locate shelf and bracket assembly into the desired position on the wallstrip/upright (F). Use corresponding slots to ensure the shelving is level.



Extending Shelving Lengths

Castors

Important Note: Castors are suitable for use on double-sided units only and should not be fitted to any other units

Security of all fixings for mobile shelving should be checked at regular intervals

Before commencement of fixing, ensure wall is suitable for load bearing shelving

1 Measure required height of shelving from the floor and mark wall accordingly.

2 Fix first wall strip to wall, using suitable plugs and screws (not supplied), ensuring that it is vertical. For positioning purposes only follow steps 3-7 to ensure units are fitted level.

3 Insert 2 pairs of shelf brackets – one pair at the top of the wall strip and one pair at the bottom – (one left handed and one right handed bracket in each position – see diagram.)

4 Into the next wall strip insert 2 pairs of brackets into the corresponding slots.

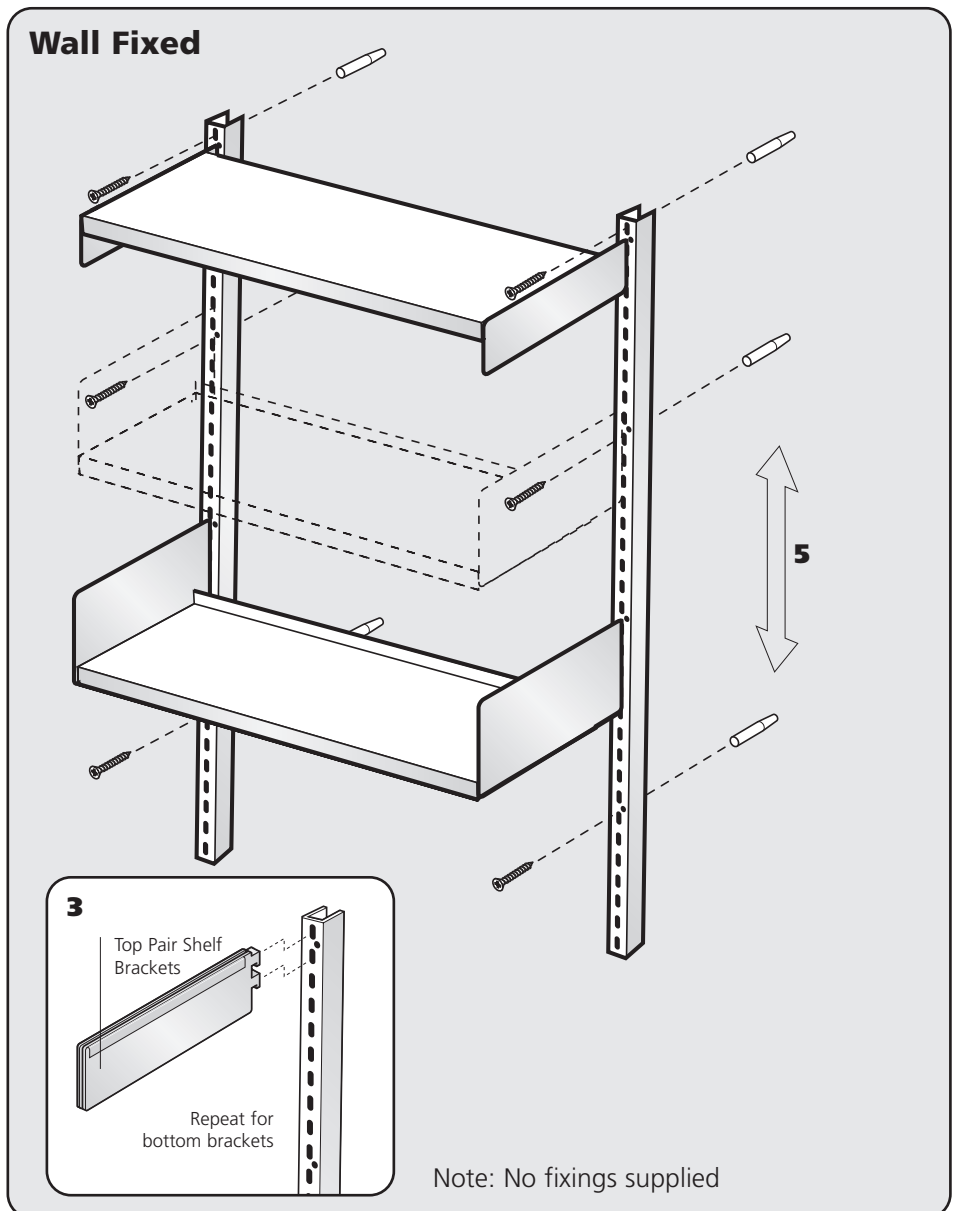
5 With assistance, offer the second wall strip up to its proposed position and fit one shelf at the top and one at the bottom into the brackets already located. (This assures the correct bay width.)

6 Place the spirit level on the upper shelf and adjust wall strip until level. Drill through the wall strip into the wall behind.

7 Fix this wall strip using suitable plugs and screws, ensuring that the wall strip is horizontally and vertically level.

8 Repeat steps 3-7 for all additional bays until the unit is complete.

9 Brackets can now be attached. There are two different types – canopy and shelving brackets, both come in left and right handed versions.



10 Attach the canopy brackets first.

These are smaller than the shelf brackets and are to be fitted at the top of each upright. The canopy should now be fitted on top of the canopy brackets ensuring it is level with the top of the uprights.

11 Now attach the shelving brackets ensuring the left and right handed brackets are fitted in the corresponding slots. The shelves can now be fitted onto the shelf brackets. They should feel stable and secure.